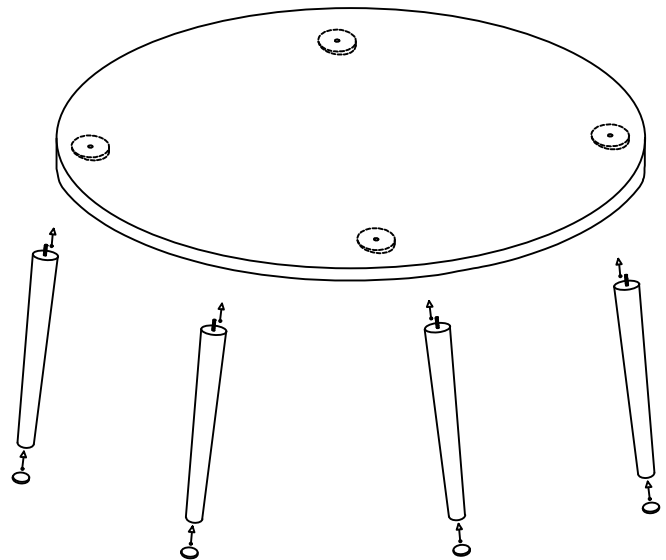
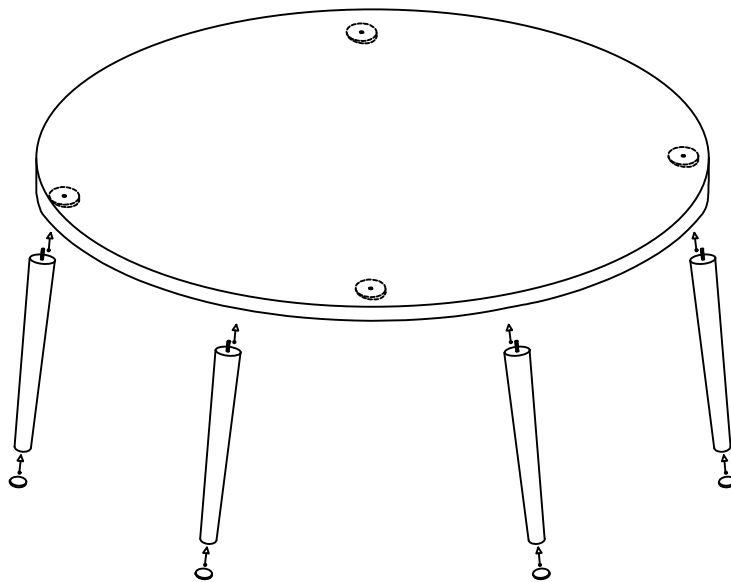


Round Central coffee table - Wooden Legs - Assembly Instructions



Steps:

There are:

2 size tables tray ;8 Wooden legs

- Position the trays on flat surface.
- Attach the tray to the legs with the mounting screws to the plastic pre-mounting plates on the tray.